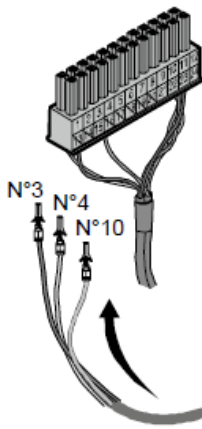
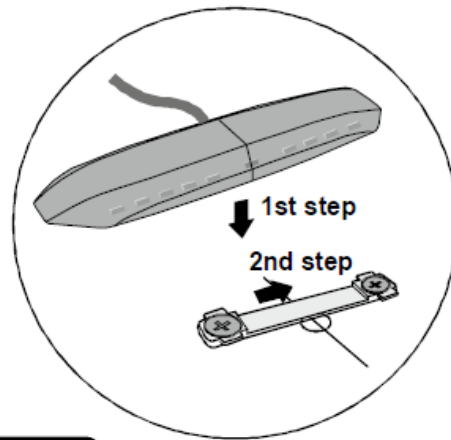
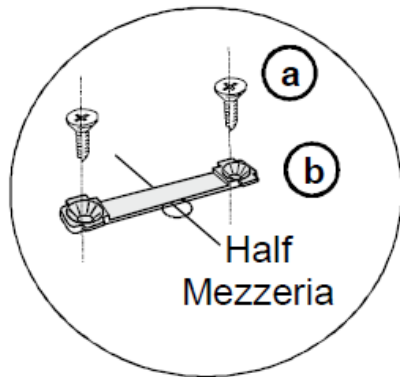
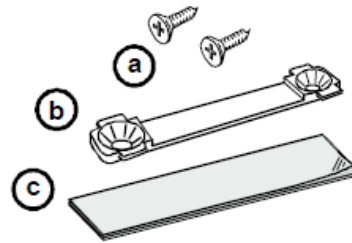
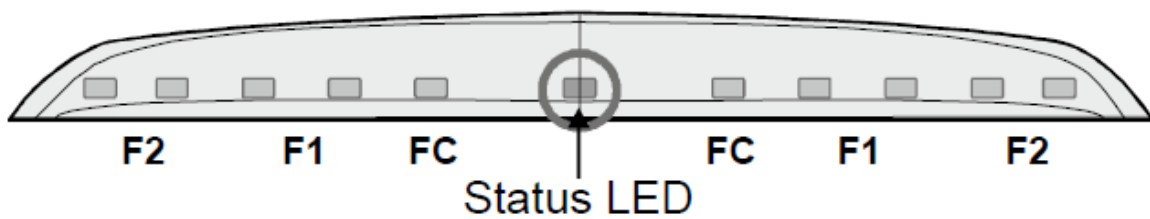
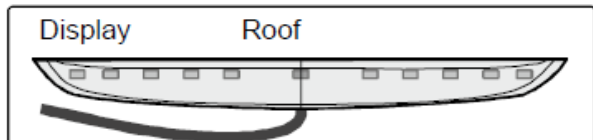
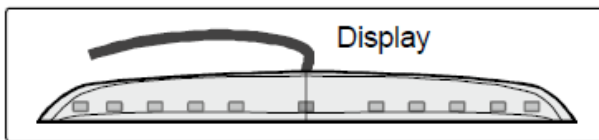
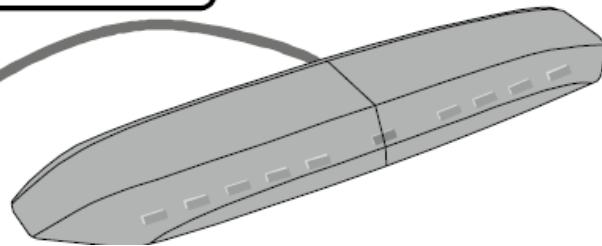


Fixing procedure of the display through interlocking support



N°3	- Black
N°4	- White
N°10	- Red



LED ON: active sensors
LED blinking: one or more faulty sensors